

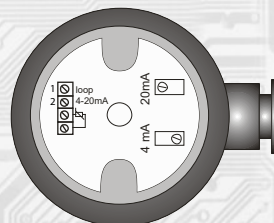
Description

These temperature sensors are designed for general-purpose application in control and regulation systems for the measuring, registration, and signaling of outside temperature. The temperature element (Pt1000) is located in the stem. The head of the sensor is made of aluminium, the stem is made of stainless steel (DIN 1.4601). The converter temperature - current or temperature - voltage, which is positioned in the transducer head, is not provided with a galvanic separation. The sensor is fitted with the metallic console for fastening on the wall.

Basic technical parameters

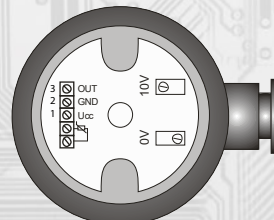
Sensor	Pt1000	
Measurement error	< 0,6 %	
Output signal	$4 \div 20$ mA (sensors A11)	$0 \div 10$ V (sensors A11U)
Power supply Ucc	$11 \div 35$ VDC	$18 \div 30$ VDC
Load resistance	$R_z < (U_{cc}-11) \times 50$ [Ω]	$R_z > 50$ k Ω
Sensing element break	$I_z > 24$ mA	$U_v > 12$ V
Sensing element short	$I_z < 3$ mA	$U_v \sim 0$ V
Output impedance	100 Ω	
Power consumption	max 5 mA	
Ambient temperature	$-30 \div 80$ °C	
Relative humidity	< 80%	
Head	material aluminium, colour grey	
Protection type	IP 54 (EN 60529)	
Terminal board	wire diameter $0,35 \div 1,5$ mm ²	
Cable gland	P16, wire diameter $5 \div 7$ mm	

Wiring diagram for A111



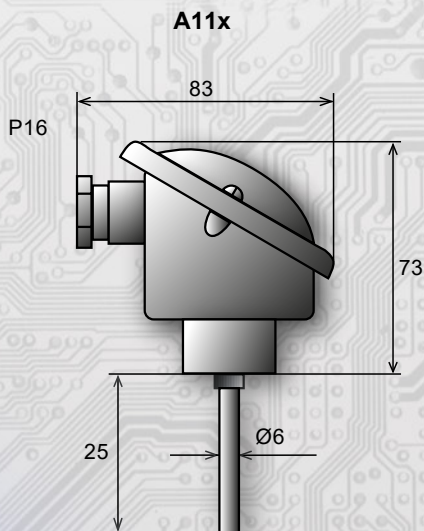
1,2: current loop arbitrary polarity

Wiring diagram for A11U

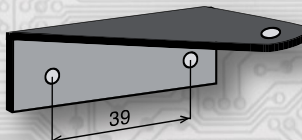


1: positive pole of the supply source
2: negative pole of the supply source
3: 0 to 10 V output

Dimension:



Side holder C - for A11x



2 holes $\varnothing 4,5$ mm

Temperature range

$-30 \div 60$ °C
$0 \div 35$ °C
$0 \div 50$ °C
$0 \div 100$ °C
$0 \div 150$ °C
$0 \div 250$ °C

Max. temperature 250°C