

The radiation temperature sensors are designed for general-purpose application in control and regulation systems for temperature detection in larger rooms and halls. The radiation temperature sensor determines the effective part of active radiation respective the effectively radiant heat at the measured location. The temperature element (Pt1000) is located under the black hemisphere. The head of sensor is made of polycarbonate, cover is provided with quick-locking screws. The converter temperature - voltage, which is positioned in the transducer head, is not provided with a galvanic separation.

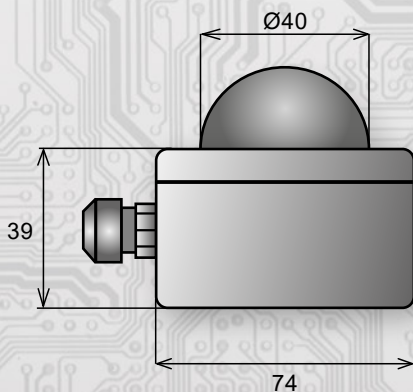
Basic technical parameters

Sensing element	Pt1000
Measurement error	< 0,6 %
Output signal	0 ÷ 10 V
Power supply Ucc	18 ÷ 30 VDC
Load resistance	Rz > 50 kΩ
Sensing element break	Uv > 12 V
Sensing element short	Uv ~ 0 V
Ambient temperature	-30 ÷ 80 °C
Relative humidity	< 80%
Material	material polycarbonat, blue colour (grey on request)
Degree of protection	IP 30 (ČSN EN 60529)
Terminal board	COB 5/2, wire cross section 0,35 ÷ 2,5 mm ²

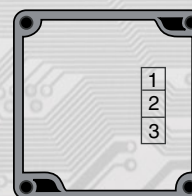
Temperature range

-30 ÷ 60°C
0 ÷ 35°C
0 ÷ 50°C
0 ÷ 80°C

Dimensions and accessories



Wiring diagram for P13U



- 1: positive pole of the supply source
- 2: negative pole of the supply source
- 3: 0 to 10 V output