



Description

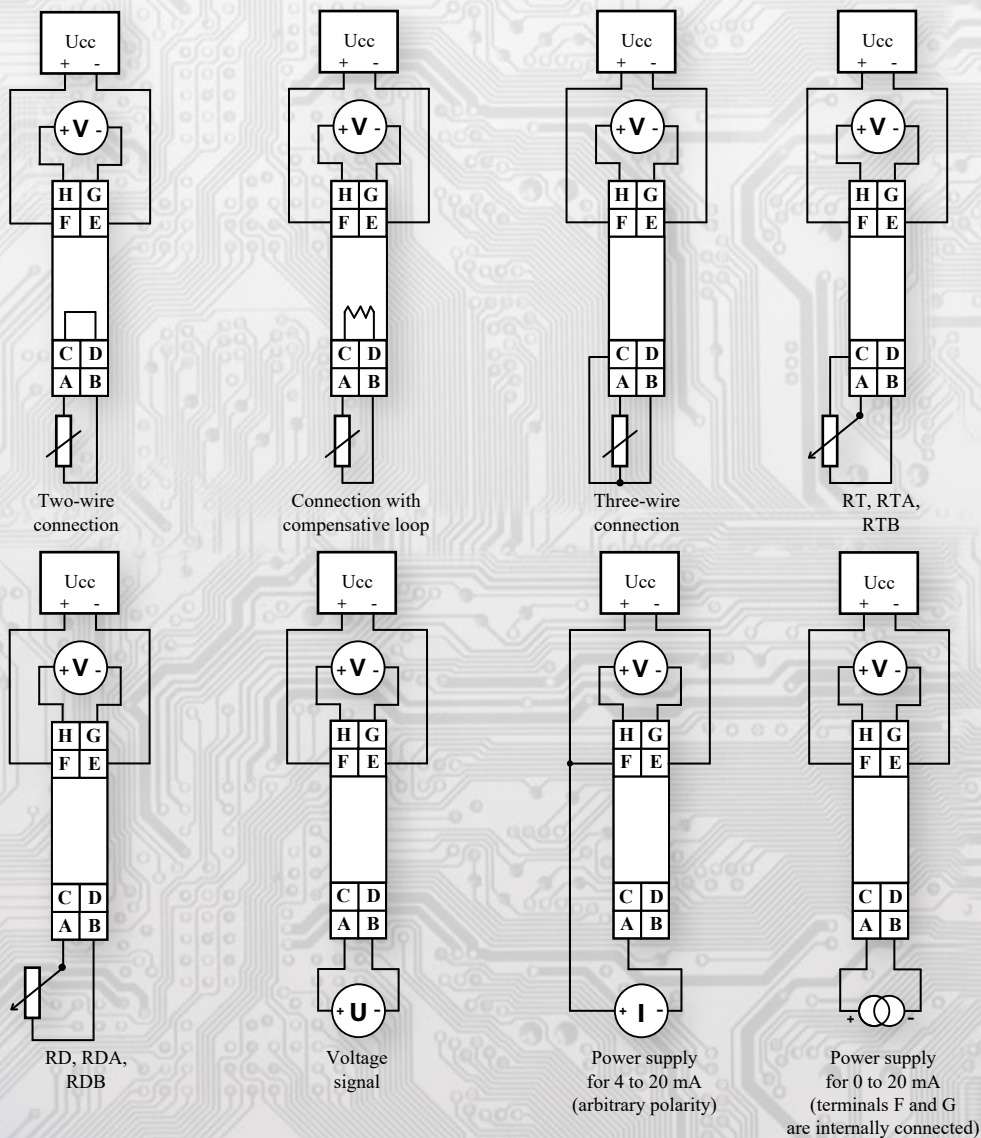
The transmitters series PU-1x are intended for signal conversion from resistive temperature sensors Pt100, Pt500, Pt1000, Ni1000, Ni10000 and resistive sensors OV100 (0 to 100 Ω) and OV105 (5 to 105 Ω) to the standard voltage signal 0 to 10 V. The output signal has got a linear temperature or resistance dependence.

The transmitters are according to the type variant supplied by 24 V DC or AC. The transmitters are not equipped with galvanic separation between input and output signals. The given degree of ingress protection and possibility of fitting on the mounting bar DIN TS 35 determinate the transmitters for use in the distribution cases, boards and panels.

Main technical parameters

Power supply	11 ÷ 35 V _{ss}
Load resistance R _Z	< (U _{cc} - 11) x 50 [Ω]
Sensing element short	< 3 mA
Sensing element break	> 24 mA
Measurement error	< 0,8 %
Ambient temperature	-20 ÷ 60°C
Storage temperature	-20 ÷ 80°C
Relative humidity	< 80 %
Terminal board	max. diameter 1,5 mm ²
Dimension	18 x 62 x 64 mm

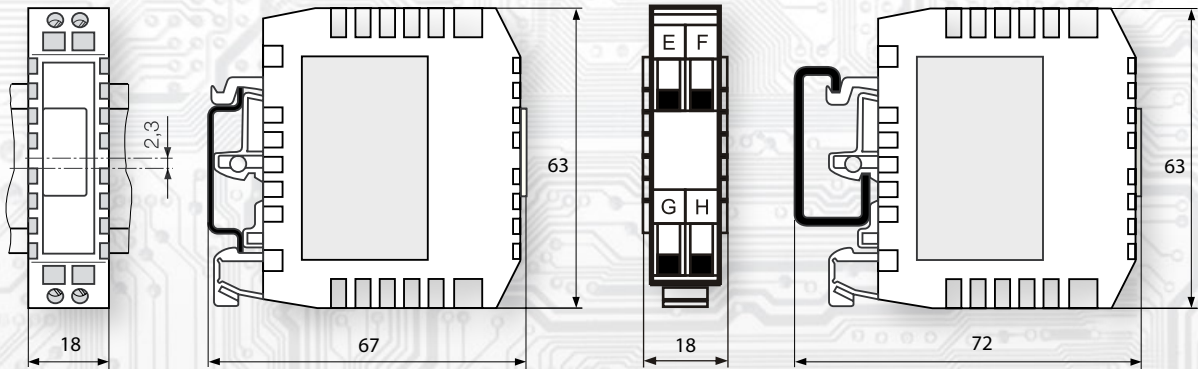
Transmitter connection into the circuit



The terminals F and G are galvanically connected (GND). Also the terminals D and B are galvanically connected (except types RT,RTA,RTB,RDA,RDB)

Installation and connection

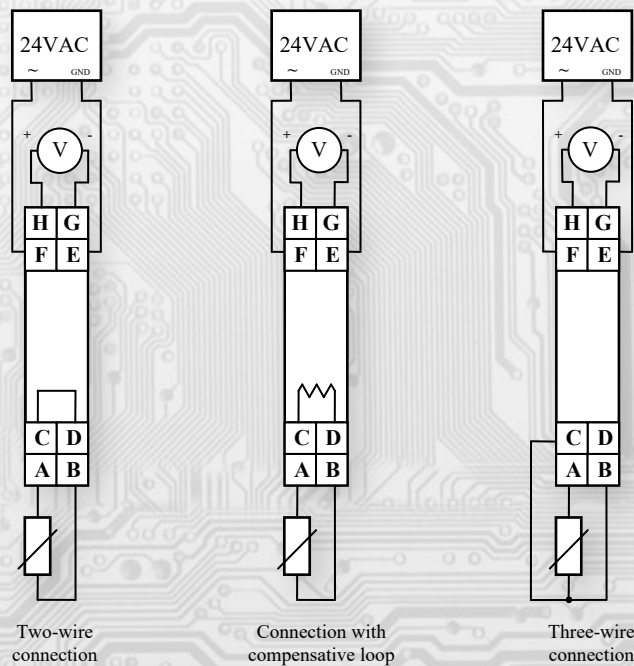
The transmitters are designed for DIN rail mounting.
Wiring to terminal: max. wire cross section to 1,5 mm²



Attachment to DIN bar EN 50 022 – 35 x 7,5

Attachment to DIN bar G EN 50 035 – G32

Examples of wiring for AC supply



Note: The terminals G,E and D,B are galvanically connected (GND).

Temperature range

sensor	PT 100/1000	Ni 1000
Temperature range	-30 to 60°C	-30 to 60°C
	0 to 100°C	0 to 35°C
	0 to 200°C	0 to 50°C
	0 to 400°C	0 to 100°C
	0 to 600°C	0 to 150°C
	200 to 600°C	0 to 250°C

Power supply

TYP	druh napájení
PU-1xx AC	24 V střídavých
PU-1xx DC	15 - 30V stejnosměrných

Summary of types

TYPE	INPUT	TYPE	INPUT
PI-1P	Pt100	PI-1RT	OV100 3-wire connection
PI-1PA	Pt1000	PI-1RD	OV100 2-wire connection
PI-1PB	Pt500	PI-1RTA	OV105 3-wire connection
PI-1L	Ni1000/5000 ppm	PI-1RDA	OV105 2-wire connection
PI-1S	Ni1000/6180 ppm	PI-1RTB	OV1000 3-wire connection
PI-1J	Ni891/6371 ppm	PI-1RDB	OV1000 2-wire connection
PI-1SA	Ni10000/6180 ppm	PI-1RU3	0 + 10V